

PARTS LIST

[ KD-S5M ]

\* All printed circuit boards and its assemblies are not available as service parts.

Area suffix

J ----- Northern America

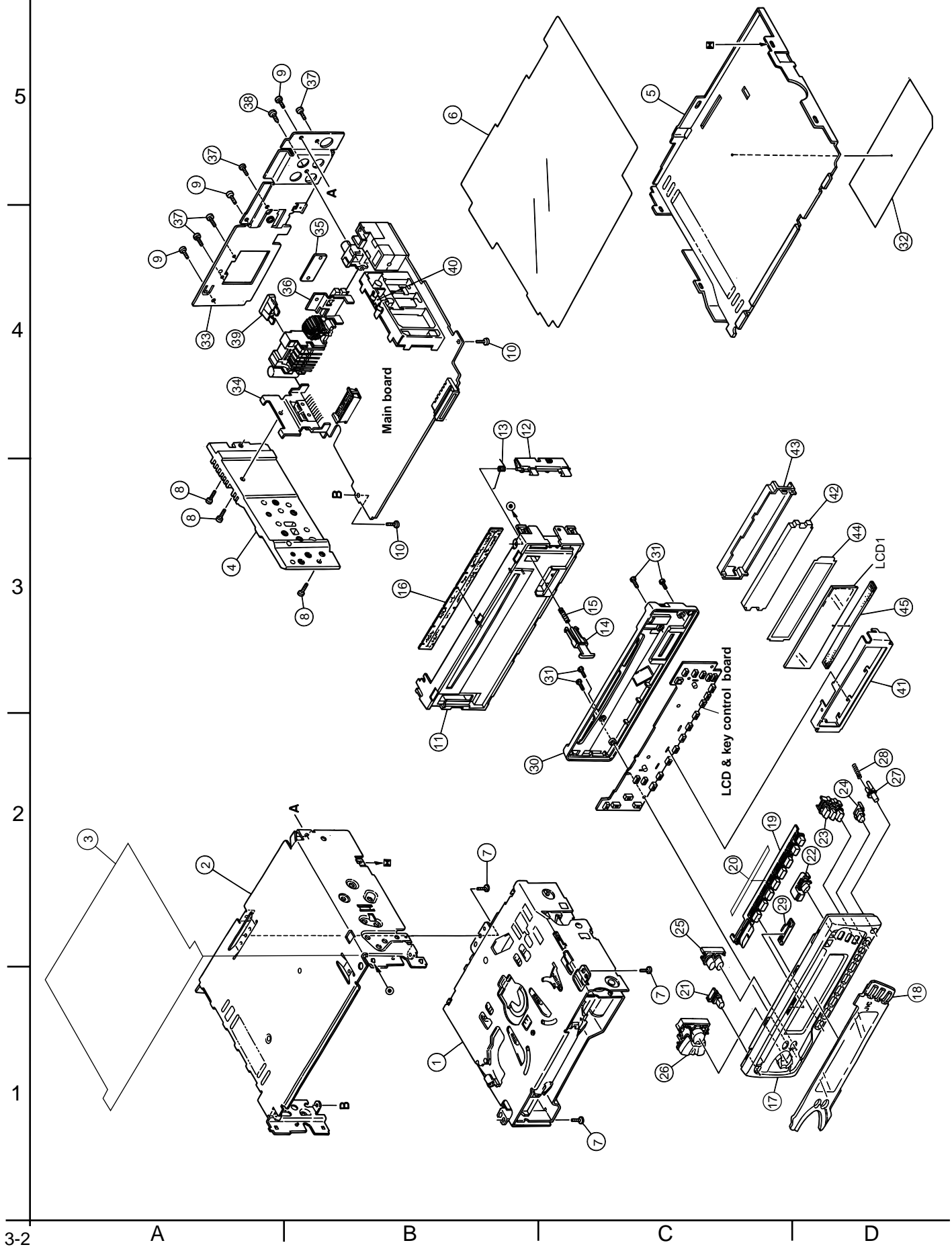
- Contents -

Exploded view of general assembly and parts list .....	3- 2
CD mechanism assembly and parts list .....	3- 4
Electrical parts list .....	3- 7
Packing materials and accessories parts list .....	3-11

# Exploded view of general assembly and parts list

Block No. 

M	1	M	M
---	---	---	---



**Parts list(General assembly)**

Block No. M1MM

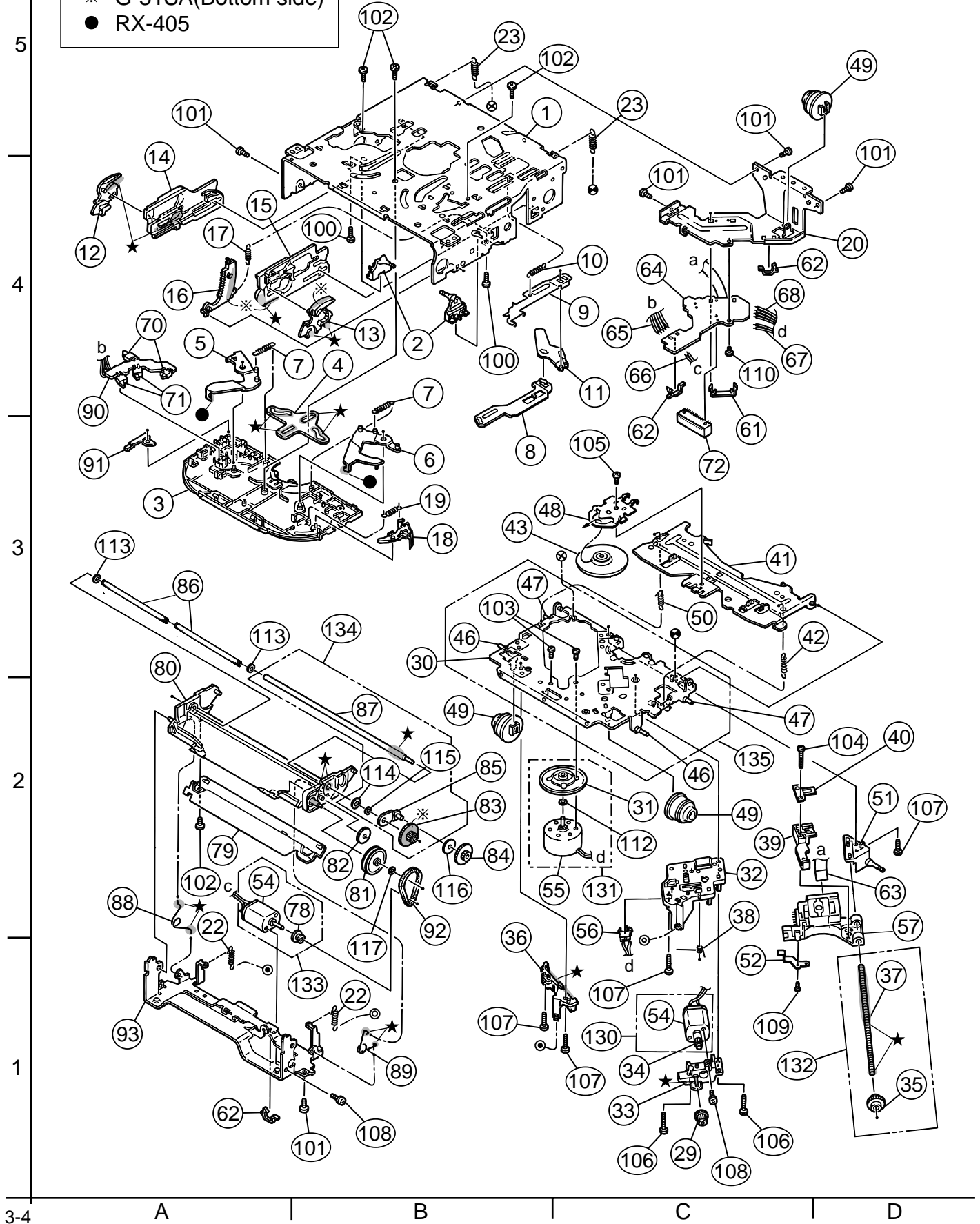
△	Item	Parts number	Parts name	Q'ty	Description	Area
	1	-----	CD MECHA	1	TN-CCD1001Z	
	2	FSJC1029-401	TOP CHASSIS	1		
	3	FSZL3001-001	TOP SHEET	1		
	4	FSMH3001-202	SIDE PANEL	1		
	5	FSKM3011-002	BOTTOM COVER	1		
	6	FSMA3004-003	INSULATOR	1		
	7	QYSDST2604Z	SCREW	3	CHASSIS+MECHA B	
	8	FSKZ4005-001	SCREW	3	CHASSIS+SIDE PA	
	9	QYSDST2604Z	SCREW	3	CHASSIS+REAR BK	
	10	QYSDST2606Z	SCREW	2	CHASSIS+MAIN PW	
	11	FSJC2013-002	FRONT CHASSIS	1		
	12	FSKS3010-001	LOCK LEVER	1		
	13	FSKW4005-003	TORSION SPRING	1	FOR LOCK LEVEL	
	14	FSXP3026-002	RLS KNOB	1		
	15	FSKW3002-015	COMP.SPRING	1		
	16	FSPK3009-001	BLIND	1		
	17	FSJC1057-002	FRONT PANEL	1		
	18	FSJD3023-00K	FINDER	1		
	19	FSXP2035-108	PRESET BUTTON	1		
	20	FSYH4036-031	SHEET	1		
	21	FSXP3053-002	POWER BUTTON	1		
	22	FSXP3054-002	EJECT BUTTON	1		
	23	FSXP2034-034	D.FUNCTION BUTTON	1	CD/FM/AM	
	24	FSXP4005-029	BBE BUTTON	1	SCM	
	25	FSXP3068-001	PUSH BUTTON	1		
	26	FSXP2044-001	COMBO BUTTON	1		
	27	FSXP3055-001	DETACH BUTTON	1		
	28	FSKW3002-012	COMP. SPRING	1	FOR DETACH BUTT	
	29	FSJK3026-001	CD LENS	1		
	30	FSJC1043-002	REAR COVER	1		
	31	VKZ4777-001	MINI SCREW	4	FRONT+REAR	
	32	GE30241-002A	NAME PLATE	1		
	33	FSKM3010-013	REAR BRACKET	1		
	34	FSKL4018-00B	IC BRACKET	1		
	35	FSKL4014-001	HEAT SINK	1		
	36	FSKL4015-002	REG BRACKET	1		
	37	QYSDST2606Z	SCREW	4		
	38	QYSDST3006Z	SCREW	1		
△	39	QMFZ021-100-J1	FUSE	1		
	40	VMA4652-001SS	EARTH PLATE	1		
	41	FSYH3023-001	LCD CASE	1		
	42	FSJK3035-001	LCD LENS	1		
	43	FSKS3022-002	LENS CASE	1		
	44	FSYH4078-001	LIHTING SHEET	1		
	45	QNZ0442-001	RUBBER CONNE	1		
	LCD 1	QLD0126-001	LCD MODULE	1		

# CD mechanism assembly and parts list

Block No. M 2 M M

**Grease**

- ★ G-31SA
- ※ G-31SA(Bottom side)
- RX-405



## ■ Parts list(CD mechanism)

Block No. M2MM

△	Item	Parts number	Parts name	Q'ty	Description	Area
	1	30310101T	FRAME	1		
	2	30310103T	DANPER PIN	2		
	3	30310107T	UPPER PLATE	1		
	4	30310108T	SEL STOP PLATE	1		
	5	30310142T	SEL ARM (L)L	1		
	6	30310143T	SEL ARM (R)L	1		
	7	30310145T	S ARM SPRING(L)	2		
	8	30310112T	TRIG LEVER	1		
	9	30310155T	TRIG PL(Z)	1		
	10	30310115T	TRIG PL SPRING	1		
	11	30310116T	TRIG ARM	1		
	12	30310134T	FIX ARM (L)B	1		
	13	30310159T	FIX ARM (R)Z	1		
	14	30310150T	FIX PL (L)Z	1		
	15	30310156T	FIX PL (R) Z	1		
	16	30310138T	LDG GR (6)B	1		
	17	30310122T	LDG GEAR (6)SP	1		
	18	30310148T	S.L ARM(N)	1		
	19	30310125T	S.L ARM SPRING	1		
	20	30310149T	REAR DAM BKT(Z)	1		
	22	30310151T	HUNG UP SP (FZ)	2		
	23	30310129T	HUNG UP SP (R)	2		
	29	30300510T	PU GEAR(B)	1		
	30	-----	T.T.BASE(Z)	1		
	31	-----	TURN TABLE(Z)	1		
	32	30310544T	F.M.BASE(Z)	1		
	33	30310547T	FD GR BLK(Z)	1		
	34	-----	FD GR AZ	1		
	35	-----	FD GR CZ	1		
	36	30310546T	PU GUIDE(Z)	1		
	37	-----	FD SCREW(Z)	1		
	38	30310533T	THRUST SPR(M)	1		
	39	30310548T	PU M NUT(Z)	1		
	40	30310512T	NUT PUSH SPR PL	1		
	41	30310558T	CLP ARM(Z)	1		
	42	30310514T	CLP ARM SPRING	1		
	43	30310552T	CLAMPER(Z)	1		
	46	-----	LOCK PIN(FZ)	2		
	47	-----	LOCK PIN(RZ)	2		
	48	30310557T	CLAMPER PLATE(Z)	1		
	49	30310524T	DAMPER (J)	3		
	50	30310525T	CLP ARM SPR (L)	1		
	51	30310545T	F SCREW GUIDE(Z)	1		
	52	30310556T	PU G.SP PLT(Z)	1		
	54	-----	FEED MOTOR	2	FF030PK-09210	
	55	-----	SPINDLE MOTOR	1	RF300CA-11440D	
	56	64180405T	DET SW	1	ESE11SF4	
	57	OPTIMA-720L1	C.D PICK (CAR)	1		

## ■ Parts list(CD mechanism)

Block No. M2MM

△	Item	Parts number	Parts name	Q'ty	Description	Area
	61	30311035T	FPC HOLDER(Z)	1		
	62	19501403T	WIRE CLAMPER	3		
	63	30311037T	PICK UP FPC(Z)	1		
	64	30311036T	CONNECT.PCB(Z-J)	1		
	65	30311038T	WIRE (5P-Z)	1		
	66	30311039T	WIRE (LD-Z)	1		
	67	30311040T	WIRE (FD-Z)	1		
	68	30311041T	WIRE (RS-Z)	1		
	70	64180402T	DET SWITCH	2	ESE22MH1	
	71	64180403T	DET SWITCH	2	ESE22MH3	
	72	68150232T	CONNECTOR	1	TKC-W26X-C1	
	78	-----	LDG PULLEY	1		
	79	30311105T	SOPPORT PLATE	1		
	80	30311138T	GR MT BLK(N)	1		
	81	30311109T	LDG GEAR (2)	1		
	82	30311110T	LDG GEAR (3)	1		
	83	-----	LDG GEAR (4)	1		
	84	30311112T	LDG GEAR (5)	1		
	85	-----	LDG GR ARM	1		
	86	30311136T	LDG ROLLER	2		
	87	-----	LDG RLR SHAFT	1		
	88	30311118T	L.P SPRING (L)	1		
	89	30311119T	L.P SPRING (R)	1		
	90	30311123T	SW PCB	1		
	91	30311124T	SW ACTUATOR	1		
	92	30311129T	LDG BELT	1		
	93	30311140T	FRONT BRKT (J)	1		
	100	9C0620503T	C B TAP SCREW	2	M2X5	
	101	9C2020401T	C SCREW TS.G	5	M2X4	
	102	9C4320403T	C B TAP SCREW	4	M2X4	
	103	9C0117223T	SCREW	2	M1.7X2.2	
	104	9C4217703T	C TAP SCREW S3	1	M1.7X7	
	105	9C0320201T	C TAP SCREW S3	1	M2X2	
	106	9C4920013T	C TAP SCREW S3	2	M2X10	
	107	9C4920603T	C TAP SCREW B3	4	M2X6	
	108	9P0220031T	TAMS SCREW	2	M2X3	
	109	9C0314203T	C TAP SCREW	1	M1.4X2	
	110	9C0420253	C TAP SCREW	1	M2X2.5	
	112	-----	POLY WASHER	1	2.1X3.5X0.3	
	113	9W0330276	NW BLUE	2	2.9X5X0.3	
	114	-----	WAVE WASHER	1		
	115	-----	LUMILAR WASHER	1	2.5X6X0.1	
	116	9W0725030T	LUMILAR WASHER	1	2.3X9.8X0.25	
	117	9W0640030T	WASHER	1	1.4X3.2X0.4	
	130	303105310T	FEED MO ASSY	1	NO.34 54	
	131	303105311T	SPINDLE MO ASSY	1	NO.31 55 112	
	132	303105312T	FEED SCREW ASSY	1	NO.35 37	
	133	303111301T	LDG MOTOR ASSY	1	NO.54 78	
	134	303111302T	ROLLER SHAFT	1	NO.83 85 87	
		303111302T	ROLLER SHAFT	1	NO.114 115	
	135	303105502T	T.T.BASE ASSY	1	NO.30 46 47	

# Electrical parts list

■ Electrical parts list(Main board)

Block No. 01

△	Item	Parts number	Parts name	Remarks	Area	△	Item	Parts number	Parts name	Remarks	Area
	C 101	QER41HM-105	E CAPACITOR	1.0MF 20% 50V			C 515	NCB21EK-103X	C CAPACITOR		
	C 151	NCS21HJ-102X	C CAPACITOR				C 516	QEKJ1AM-107Z	E CAPACITOR	100MF 20% 10V	
	C 152	QEK41EM-475	E CAPACITOR	4.7MF 20% 25V			C 517	NCS21HJ-821X	C CAPACITOR		
	C 153	NDC21HJ-101X	C CAPACITOR				C 518	NCB21CK-224X	C CAPACITOR		
	C 154	NDC21HJ-101X	C CAPACITOR				C 519	NCB21EK-473X	C CAPACITOR		
	C 155	QEKJ0JM-476Z	E CAPACITOR	47MF 20% 6.3V			C 520	NDC21HJ-470X	C CAPACITOR		
	C 201	QER41HM-105	E CAPACITOR	1.0MF 20% 50V			C 521	NCS21HJ-391X	C CAPACITOR		
	C 251	NCS21HJ-102X	C CAPACITOR				C 522	NCB31EK-223X	C CAPACITOR		
	C 252	QEK41EM-475	E CAPACITOR	4.7MF 20% 25V			C 523	NCB31EK-223X	C CAPACITOR		
	C 253	NDC21HJ-101X	C CAPACITOR				C 524	NCB21HK-102X	C CAPACITOR		
	C 254	NDC21HJ-101X	C CAPACITOR				C 525	NCB21HK-102X	C CAPACITOR		
	C 255	QEKJ0JM-476Z	E CAPACITOR	47MF 20% 6.3V			C 527	NCB21EK-223X	C CAPACITOR		
	C 256	NCB21EK-103X	C CAPACITOR				C 541	QERF1CM-226Z	E CAPACITOR	22MF 20% 16V	
	C 302	QFLA1HJ-822Z	M CAPACITOR	8200PF 5% 50V			C 542	NCB21HK-122X	C CAPACITOR		
	C 303	QFV61HJ-184Z	MF CAPACITOR	.18MF 5% 50V			C 543	NCB21EK-223X	C CAPACITOR		
	C 304	QFV61HJ-224Z	MF CAPACITOR	.22MF 5% 50V			C 551	QER41AM-227	E CAPACITOR	220MF 20% 10V	
	C 305	QFV61HJ-333Z	MF CAPACITOR	.033MF 5% 50V			C 552	NCB21EK-103X	C CAPACITOR		
	C 306	QFLA1HJ-562Z	M CAPACITOR	5600PF 5% 50V			C 561	NCB21EK-103X	C CAPACITOR		
	C 307	QERF1EM-475Z	E CAPACITOR	4.7MF 20% 25V			C 562	NCB21EK-103X	C CAPACITOR		
	C 308	QERF1EM-475Z	E CAPACITOR	4.7MF 20% 25V			C 563	NCB21HK-471X	C CAPACITOR		
	C 309	QEKJ1AM-107Z	E CAPACITOR	100MF 20% 10V			C 564	NCB31EK-223X	C CAPACITOR		
	C 310	NCB21HK-103X	C CAPACITOR				C 565	NCB31EK-223X	C CAPACITOR		
	C 311	QEKJ1AM-107Z	E CAPACITOR	100MF 20% 10V			C 566	NCB21CK-334X	C CAPACITOR		
	C 312	QEK41CM-476	E CAPACITOR	47MF 20% 16V			C 567	QEKJ1AM-107Z	E CAPACITOR	100MF 20% 10V	
	C 319	NCS21HJ-221X	C CAPACITOR				C 568	NCB21EK-103X	C CAPACITOR		
	C 320	NCS21HJ-221X	C CAPACITOR				C 569	NDC21HJ-100X	C CAPACITOR		
	C 321	QERF1CM-107Z	E CAPACITOR	100MF 20% 16V			C 570	NDC21HJ-100X	C CAPACITOR		
	C 323	NCS21HJ-101X	C CAPACITOR				C 571	NCB21EK-103X	C CAPACITOR		
	C 324	NCS21HJ-101X	C CAPACITOR				C 572	QEKJ1AM-107Z	E CAPACITOR	100MF 20% 10V	
	C 325	NCS21HJ-101X	C CAPACITOR				C 573	QEKJ0JM-227Z	E CAPACITOR	220MF 20% 6.3V	
	C 326	NCS21HJ-101X	C CAPACITOR				C 574	NCB21EK-103X	C CAPACITOR		
	C 327	QEK41EM-475	E CAPACITOR	4.7MF 20% 25V			C 701	QERF1AM-476Z	E CAPACITOR	47MF 20% 10V	
	C 328	QEK41CM-106	E CAPACITOR	10MF 20% 16V			C 702	QEKJ1HM-104Z	E CAPACITOR	.10MF 20% 50V	
	C 329	QERF1EM-475Z	E CAPACITOR	4.7MF 20% 25V			C 703	QEKJ1HM-104Z	E CAPACITOR	.10MF 20% 50V	
	C 330	NCB31EK-223X	C CAPACITOR				C 709	NCB21HK-273X	C CAPACITOR		
	C 331	NCB31EK-223X	C CAPACITOR				C 710	NCB21HK-273X	C CAPACITOR		
	C 402	QFLA1HJ-822Z	M CAPACITOR	8200PF 5% 50V			C 711	NCB21EK-103X	C CAPACITOR		
	C 403	QFV61HJ-184Z	MF CAPACITOR	.18MF 5% 50V			C 712	QEKJ1HM-104Z	E CAPACITOR	.10MF 20% 50V	
	C 404	QFV61HJ-224Z	MF CAPACITOR	.22MF 5% 50V			C 714	NCS21HJ-121X	C CAPACITOR		
	C 405	QFV61HJ-333Z	MF CAPACITOR	.033MF 5% 50V			C 716	NDC21HJ-8R0X	C CAPACITOR		
	C 406	QFLA1HJ-562Z	M CAPACITOR	5600PF 5% 50V			C 717	NCS21HJ-221X	C CAPACITOR		
	C 407	QERF1EM-475Z	E CAPACITOR	4.7MF 20% 25V			C 718	NCB31EK-223X	C CAPACITOR		
	C 408	QERF1EM-475Z	E CAPACITOR	4.7MF 20% 25V			C 720	QER41AM-227	E CAPACITOR	220MF 20% 10V	
	C 419	NCS21HJ-221X	C CAPACITOR				C 725	NCB21EK-103X	C CAPACITOR		
	C 420	NCS21HJ-221X	C CAPACITOR				C 731	QERF1HM-225Z	E CAPACITOR	2.2MF 20% 50V	
	C 423	NCS21HJ-101X	C CAPACITOR				C 732	NCB21HK-102X	C CAPACITOR		
	C 424	NCS21HJ-101X	C CAPACITOR				C 733	QER41AM-227	E CAPACITOR	220MF 20% 10V	
	C 425	NCS21HJ-101X	C CAPACITOR				C 801	QER41AM-227	E CAPACITOR	220MF 20% 10V	
	C 426	NCS21HJ-101X	C CAPACITOR				C 802	NCB21EK-103X	C CAPACITOR		
	C 501	NCB21EK-103X	C CAPACITOR				C 803	NDC21HJ-220X	C CAPACITOR		
	C 502	QEKJ1AM-107Z	E CAPACITOR	100MF 20% 10V			C 804	NDC21HJ-330X	C CAPACITOR		
	C 503	NCS21HJ-680X	C CAPACITOR				C 807	QER41CM-106	E CAPACITOR	10MF 20% 16V	
	C 504	QEKJ1AM-107Z	E CAPACITOR	100MF 20% 10V			C 808	NCB21HK-102X	C CAPACITOR		
	C 505	NCB21EK-103X	C CAPACITOR				C 833	NCB21HK-102X	C CAPACITOR		
	C 506	NDC21HJ-3R0X	C CAPACITOR				C 836	QCS11HJ-680	C CAPACITOR	68PF 5% 50V	
	C 507	NCB21EK-104X	C CAPACITOR				C 861	QEKJ1AM-107Z	E CAPACITOR	100MF 20% 10V	
	C 508	QEKJ1HM-105Z	E CAPACITOR	1.0MF 20% 50V			C 862	NCB21EK-823X	C CAPACITOR		
	C 509	NDC21HJ-101X	C CAPACITOR				C 901	QEZ0337-228	E CAPACITOR	2200MF	
	C 510	NCB21HK-273X	C CAPACITOR				C 902	NCB21HK-103X	C CAPACITOR		
	C 511	NCB21HK-472X	C CAPACITOR				C 903	QEKJ1CM-226Z	E CAPACITOR	22MF 20% 16V	
	C 512	NCB21HK-103X	C CAPACITOR				C 904	QERF1CM-226Z	E CAPACITOR	22MF 20% 16V	
	C 513	NDC21HJ-331X	C CAPACITOR				C 905	QERF1CM-226Z	E CAPACITOR	22MF 20% 16V	
	C 514	NCB21EK-104X	C CAPACITOR				C 906	NCB21EK-104X	C CAPACITOR		

■ Electrical parts list(Main board)

Block No. 01

△	Item	Parts number	Parts name	Remarks	Area	△	Item	Parts number	Parts name	Remarks	Area
	C 907	NCB21HK-103X	C CAPACITOR				R 156	NRS181J-223X	MG RESISTOR		
	C 908	QER41AM-107	E CAPACITOR	100MF 20% 10V			R 157	NRSA02J-223X	MG RESISTOR		
	C 909	QER41AM-107	E CAPACITOR	100MF 20% 10V			R 201	NRS181J-392X	MG RESISTOR		
	C 910	NCB21HK-103X	C CAPACITOR				R 202	NRSA02J-432X	MG RESISTOR		
	C 911	QER41AM-107	E CAPACITOR	100MF 20% 10V			R 251	NRSA02J-102X	MG RESISTOR		
	C 914	NCB21HK-104X	C CAPACITOR				R 252	NRSA02J-223X	MG RESISTOR		
	C 915	NCB11CK-225X	C CAPACITOR				R 253	NRSA02J-333X	MG RESISTOR		
	CJ321	QNN0170-001	PIN JACK (REEL)				R 254	NRSA02J-223X	MG RESISTOR		
	CJ701	QNZ0009-001	CAR ANT JACK				R 255	NRSA02J-102X	MG RESISTOR		
	CN501	QGB2027M1-26S	CONNECTOR				R 256	NRSA02J-223X	MG RESISTOR		
	CN801	VMC0334-001	CONNECTOR				R 257	NRSA02J-223X	MG RESISTOR		
	CN901	QNZ0002-001	16P CONNECTOR				R 301	NRSA02J-223X	MG RESISTOR		
	D 321	1SS254-T2	SI DIODE				R 302	NRSA02J-222X	MG RESISTOR		
	D 332	MA152WA-X	DIODE				R 303	NRSA02J-473X	MG RESISTOR		
	D 551	DSK10C-T1	DIODE				R 304	NRSA02J-473X	MG RESISTOR		
	D 701	1SS254-T2	SI DIODE				R 307	NRSA02J-273X	MG RESISTOR		
	D 702	1SS254-T2	SI DIODE				R 308	NRSA02J-273X	MG RESISTOR		
	D 703	UDZS5.6B-X	Z DIODE				R 321	NRSA02J-473X	MG RESISTOR		
	D 704	UDZS5.6B-X	Z DIODE				R 322	NRSA02J-181X	MG RESISTOR		
	D 705	UDZS5.6B-X	Z DIODE				R 323	NRS181J-472X	MG RESISTOR		
	D 731	MTZJ10B-T2	ZENER DIODE				R 333	NRSA02J-102X	MG RESISTOR		
	D 810	MA152WA-X	DIODE				R 334	NRSA02J-101X	MG RESISTOR		
	D 861	MTZJ4.7B-T2	Z DIODE				R 336	NRSA02J-222X	MG RESISTOR		
	D 866	MA152WA-X	DIODE				R 401	NRSA02J-223X	MG RESISTOR		
	D 867	MA152WK-X	SI DIODE				R 402	NRSA02J-222X	MG RESISTOR		
	D 901	1N5401-TU-15	DIODE				R 403	NRSA02J-473X	MG RESISTOR		
	D 902	SB10-03A3-T2	SB DIODE				R 404	NRSA02J-473X	MG RESISTOR		
	D 903	1SS254-T2	SI DIODE				R 407	NRSA02J-273X	MG RESISTOR		
	D 904	CRS03-W	SB DIODE				R 408	NRSA02J-273X	MG RESISTOR		
	IC151	NJM4565M-WE	IC				R 433	NRSA02J-102X	MG RESISTOR		
	IC301	TEA6320T-X	IC				R 434	NRSA02J-101X	MG RESISTOR		
	IC321	HA13158A	IC				R 436	NRSA02J-222X	MG RESISTOR		
	IC501	AN8806SB-W	IC				R 501	NRSA02J-220X	MG RESISTOR		
	IC541	LA6567H-X	IC				R 502	NRSA02J-220X	MG RESISTOR		
	IC561	MN35510	IC				R 503	NRS181J-102X	MG RESISTOR		
	IC801	JES01-9597					R 504	NRSA02J-392X	MG RESISTOR		
	IC901	BA4905-V3	IC				R 505	NRSA02J-224X	MG RESISTOR		
	L 501	QQL231K-4R7Y	INDUCTOR				R 506	NRSA02J-223X	MG RESISTOR		
	L 561	QQL231K-4R7Y	INDUCTOR				R 507	NRSA02J-332X	MG RESISTOR		
	L 562	QQL231K-4R7Y	INDUCTOR				R 508	NRSA02J-683X	MG RESISTOR		
	L 701	QQL231K-330Y	INDUCTOR				R 509	NRSA02J-153X	MG RESISTOR		
	L 801	QQL231K-4R7Y	INDUCTOR				R 510	NRSA02J-154X	MG RESISTOR		
	L 901	QQR0703-001	CHOKE COIL				R 511	NRSA02J-274X	MG RESISTOR		
	Q 321	DTC114EKA-X	TRANSISTOR				R 512	NRSA02J-563X	MG RESISTOR		
	Q 332	2SD1048/6-7/-X	TRANSISTOR				R 513	NRSA02J-563X	MG RESISTOR		
	Q 432	2SD1048/6-7/-X	TRANSISTOR				R 514	NRS181J-123X	MG RESISTOR		
	Q 501	2SA1706/ST/-T	TRANSISTOR				R 515	NRSA02J-123X	MG RESISTOR		
	Q 541	2SA1706/ST/-T	TRANSISTOR				R 516	NRSA02J-123X	MG RESISTOR		
	Q 701	DTC114EKA-X	TRANSISTOR				R 517	NRSA02J-123X	MG RESISTOR		
	Q 731	2SC2412K/R/-X	TRANSISTOR				R 541	NRSA02J-102X	MG RESISTOR		
	Q 732	2SC2412K/R/-X	TRANSISTOR				R 542	NRSA02J-822X	MG RESISTOR		
	Q 791	2SB1197K/QR/-X	TRANSISTOR				R 543	NRSA02J-303X	MG RESISTOR		
	Q 793	DTC114EKA-X	TRANSISTOR				R 544	NRSA02J-332X	MG RESISTOR		
	Q 861	DTA114EKA-X	DIGITAL.TRANSIS				R 545	NRSA02J-123X	MG RESISTOR		
	Q 902	2SC2412K/R/-X	TRANSISTOR				R 546	NRSA02J-563X	MG RESISTOR		
	Q 903	2SA1037AK/RS/-X	TRANSISTOR				R 547	NRSA02J-154X	MG RESISTOR		
	R 101	NRSA02J-392X	MG RESISTOR				R 548	NRSA02J-822X	MG RESISTOR		
	R 102	NRSA02J-432X	MG RESISTOR				R 549	NRSA02J-203X	MG RESISTOR		
	R 151	NRSA02J-102X	MG RESISTOR				R 550	NRSA02J-123X	MG RESISTOR		
	R 152	NRSA02J-223X	MG RESISTOR				R 551	NRSA02J-822X	MG RESISTOR		
	R 153	NRSA02J-333X	MG RESISTOR				R 560	NRS181J-101X	MG RESISTOR		
	R 154	NRSA02J-223X	MG RESISTOR				R 561	NRS181J-102X	MG RESISTOR		
	R 155	NRSA02J-102X	MG RESISTOR				R 562	NRS181J-102X	MG RESISTOR		



■ Electrical parts list(Main board)

Block No. 01

△	Item	Parts number	Parts name	Remarks	Area
	R 563	NRS181J-102X	MG RESISTOR		
	R 564	NRS181J-102X	MG RESISTOR		
	R 567	NRS181J-102X	MG RESISTOR		
	R 568	NRS181J-102X	MG RESISTOR		
	R 569	NRSA02J-102X	MG RESISTOR		
	R 570	NRSA02J-102X	MG RESISTOR		
	R 571	NRSA02J-683X	MG RESISTOR		
	R 572	NRSA02J-105X	MG RESISTOR		
	R 573	NRSA02J-124X	MG RESISTOR		
	R 574	NRSA02J-331X	MG RESISTOR		
	R 701	NRS181J-102X	MG RESISTOR		
	R 702	NRSA02J-0R0X	MG RESISTOR		
	R 703	NRSA02J-102X	MG RESISTOR		
	R 704	NRSA02J-0R0X	MG RESISTOR		
	R 705	NRSA02J-103X	MG RESISTOR		
	R 708	NRSA02J-155X	MG RESISTOR		
	R 725	NRSA02J-151X	MG RESISTOR		
	R 731	NRS181J-152X	MG RESISTOR		
	R 732	NRSA02J-102X	MG RESISTOR		
	R 733	NRS181J-103X	MG RESISTOR		
	R 734	NRSA02J-471X	MG RESISTOR		
	R 791	NRSA02J-103X	MG RESISTOR		
	R 792	NRS181J-102X	MG RESISTOR		
	R 795	NRSA02J-150X	MG RESISTOR		
	R 796	NRSA02J-150X	MG RESISTOR		
	R 798	NRSA02J-105X	MG RESISTOR		
	R 801	NRS181J-103X	MG RESISTOR		
	R 803	NRS181J-332X	MG RESISTOR		
	R 804	NRS181J-332X	MG RESISTOR		
	R 805	NRS181J-332X	MG RESISTOR		
	R 807	NRS181J-473X	MG RESISTOR		
	R 808	NRS181J-102X	MG RESISTOR		
	R 809	NRS181J-103X	MG RESISTOR		
	R 810	NRSA02J-104X	MG RESISTOR		
	R 811	NRSA02J-332X	MG RESISTOR		
	R 812	NRSA02J-332X	MG RESISTOR		
	R 813	NRSA02J-473X	MG RESISTOR		
	R 814	NRSA02J-473X	MG RESISTOR		
	R 815	NRSA02J-473X	MG RESISTOR		
	R 816	NRSA02J-473X	MG RESISTOR		
	R 817	NRS181J-472X	MG RESISTOR		
	R 818	NRS181J-473X	MG RESISTOR		
	R 822	NRSA02J-222X	MG RESISTOR		
	R 823	NRSA02J-473X	MG RESISTOR		
	R 825	NRS181J-473X	MG RESISTOR		
	R 826	NRSA02J-473X	MG RESISTOR		
	R 827	NRSA02J-473X	MG RESISTOR		
	R 828	NRSA02J-473X	MG RESISTOR		
	R 829	NRS181J-473X	MG RESISTOR		
	R 830	NRS181J-223X	MG RESISTOR		
	R 831	NRSA02J-472X	MG RESISTOR		
	R 832	NRS181J-223X	MG RESISTOR		
	R 833	NRSA02J-472X	MG RESISTOR		
	R 834	NRS181J-223X	MG RESISTOR		
	R 835	NRS181J-472X	MG RESISTOR		
	R 836	NRSA02J-473X	MG RESISTOR		
	R 861	NRS181J-471X	MG RESISTOR		
	R 862	NRS181J-471X	MG RESISTOR		
	R 902	QRZ0125-472X	C RESISTOR	4.7K 1/1W	
	R 903	NRSA02J-202X	MG RESISTOR		
	R 904	NRSA02J-104X	MG RESISTOR		
	R 905	NRSA02J-472X	MG RESISTOR		
	R 906	NRSA02J-472X	MG RESISTOR		

△	Item	Parts number	Parts name	Remarks	Area
	R 907	NRSA02J-393X	MG RESISTOR		
	R 908	NRSA02J-683X	MG RESISTOR		
	R 909	NRSA02J-273X	MG RESISTOR		
	R 910	NRSA02J-473X	MG RESISTOR		
	R 911	NRS181J-473X	MG RESISTOR		
	SP 1	VYSH101-009	SPACER		
	SP 2	VYSH101-009	SPACER		
	TU701	QAU0171-001	TUNER		
	X 561	QAX0413-001Z	CRYSTAL		
	X 801	QAX0406-001Z	CRYSTAL		

■ Electrical parts list(LCD & key control board)

Block No. 02

△	Item	Parts number	Parts name	Remarks	Area
	C 601	NCB31EK-223X	C CAPACITOR		
	C 602	NCS21HJ-681X	C CAPACITOR		
	C 603	NBE20JM-106X	TS E CAP SVB20J		
	CJ601	VMC0335-001	CONNECTOR		
	D 601	LNJ308G81/1-3/X	LED		
	D 602	LNJ308G81/1-3/X	LED		
	D 603	LNJ308G81/1-3/X	LED		
	D 604	LNJ308G81/1-3/X	LED		
	D 605	LNJ308G81/1-3/X	LED		
	D 606	LNJ308G81/1-3/X	LED		
	D 607	LNJ308G81/1-3/X	LED		
	D 608	LNJ308G81/1-3/X	LED		
	D 609	LNJ308G81/1-3/X	LED		
	D 610	LNJ308G81/1-3/X	LED		
	D 611	LNJ308G81/1-3/X	LED		
	D 612	LNJ308G81/1-3/X	LED		
	D 613	LNJ308G81/1-3/X	LED		
	D 614	LNJ308G81/1-3/X	LED		
	D 615	LNJ308G81/1-3/X	LED		
	D 616	LNJ308G81/1-3/X	LED		
	D 617	LNJ308G81/1-3/X	LED		
	D 618	LNJ308G81/1-3/X	LED		
	D 619	LNJ308G81/1-3/X	LED		
	D 620	LNJ308G81/1-3/X	LED		
	D 621	SML-310LT/MN/-X	LED	POWER LED	
	D 641	MA3047/M/-X	ZENER DIODE		
	D 642	MA152WK-X	SI DIODE		
	IC601	LC75823W	IC		
	PL601	QLL0033-003	LAMP		
	PL602	QLL0033-003	LAMP		
	R 601	NRSA02J-681X	MG RESISTOR		
	R 602	NRSA02J-511X	MG RESISTOR		
	R 603	NRSA02J-681X	MG RESISTOR		
	R 604	NRSA02J-911X	MG RESISTOR		
	R 605	NRSA02J-122X	MG RESISTOR		
	R 606	NRSA02J-681X	MG RESISTOR		
	R 607	NRSA02J-511X	MG RESISTOR		
	R 608	NRSA02J-681X	MG RESISTOR		
	R 609	NRSA02J-911X	MG RESISTOR		
	R 610	NRSA02J-122X	MG RESISTOR		
	R 611	NRSA02J-152X	MG RESISTOR		
	R 612	NRSA02J-222X	MG RESISTOR		
	R 613	NRSA02J-681X	MG RESISTOR		
	R 614	NRSA02J-511X	MG RESISTOR		
	R 615	NRSA02J-681X	MG RESISTOR		
	R 616	NRSA02J-911X	MG RESISTOR		
	R 617	NRSA02J-122X	MG RESISTOR		
	R 618	NRSA02J-152X	MG RESISTOR		
	R 631	NRSA02J-821X	MG RESISTOR		
	R 632	NRSA02J-271X	MG RESISTOR		
	R 633	NRSA02J-271X	MG RESISTOR		
	R 634	NRSA02J-271X	MG RESISTOR		
	R 635	NRSA02J-271X	MG RESISTOR		
	R 636	NRSA02J-271X	MG RESISTOR		
	R 637	NRSA02J-271X	MG RESISTOR		
	R 638	NRSA02J-271X	MG RESISTOR		
	R 639	NRSA02J-271X	MG RESISTOR		
	R 640	NRSA02J-271X	MG RESISTOR		
	R 641	NRSA02J-271X	MG RESISTOR		
	R 651	NRSA02J-222X	MG RESISTOR		
	R 652	NRSA02J-222X	MG RESISTOR		
	R 653	NRSA02J-103X	MG RESISTOR		
	R 654	NRSA02J-103X	MG RESISTOR		

△	Item	Parts number	Parts name	Remarks	Area
	R 655	NRSA02J-103X	MG RESISTOR		
	R 656	NRSA02J-103X	MG RESISTOR		
	R 657	NRSA02J-513X	MG RESISTOR		
	R 658	NRSA02J-184X	MG RESISTOR		
	S 601	NSW0124-001X	TACT SWITCH	POWER	
	S 602	NSW0124-001X	TACT SWITCH	VOL UP	
	S 603	NSW0124-001X	TACT SWITCH	VOL DOWN	
	S 604	NSW0124-001X	TACT SWITCH	LOUD	
	S 605	NSW0124-001X	TACT SWITCH	MO	
	S 606	NSW0124-001X	TACT SWITCH	DOWN	
	S 607	NSW0124-001X	TACT SWITCH	SELECT	
	S 608	NSW0124-001X	TACT SWITCH	UP	
	S 609	NSW0124-001X	TACT SWITCH	1	
	S 610	NSW0124-001X	TACT SWITCH	2	
	S 611	NSW0124-001X	TACT SWITCH	3	
	S 612	NSW0124-001X	TACT SWITCH	4	
	S 613	NSW0124-001X	TACT SWITCH	5	
	S 614	NSW0124-001X	TACT SWITCH	EJECT	
	S 615	NSW0124-001X	TACT SWITCH	6	
	S 616	NSW0124-001X	TACT SWITCH	DISPLAY	
	S 617	NSW0124-001X	TACT SWITCH	SCAN	
	S 618	NSW0124-001X	TACT SWITCH	SOUND	
	S 619	NSW0124-001X	TACT SWITCH	AM	
	S 620	NSW0124-001X	TACT SWITCH	FM	
	S 621	NSW0124-001X	TACT SWITCH	CD	

**-MEMO-**

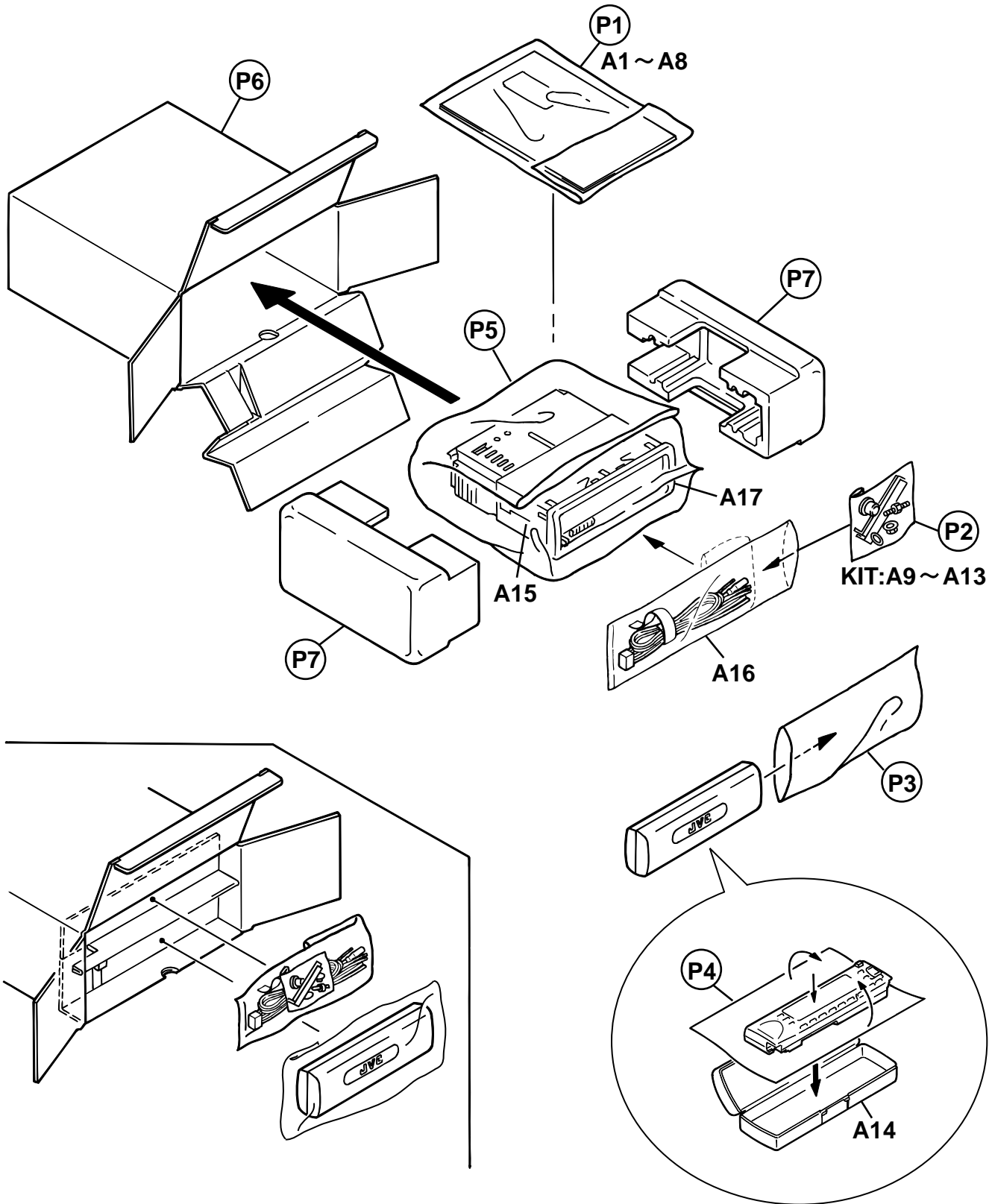
# Packing materials and accessories parts list

Block No. 

M	3	M	M
---	---	---	---

Block No. 

M	4	M	M
---	---	---	---



**Parts list(Packing)**

Block No. M3MM

△	Item	Parts number	Parts name	Q'ty	Description	Area
	P 1	FSPG4002-001	POLY BAG	1	INST.BOOK	
	P 2	QPA00801205	POLY BAG	1		
	P 3	QPA01003003	POLY BAG	1		
	P 4	FSYH4036-068	SHEET	1		
	P 5	QPC03004315P	POLY BAG	1	SET(260X440X0.0	
	P 6	GE30123-037A	CARTON	1	.	
	P 7	GE10008-001A	CUSHION	2		

**Parts list(Accessories)**

Block No. M4MM

△	Item	Parts number	Parts name	Q'ty	Description	Area
	A 1	GET0038-001A	INST.BOOK	1	ENG SPA FRE	
	A 2	GET0038-002A	INSTALL MANUAL	1	ENG SPA FRE	
	A 3	LVT0326-001C	TROUBLE SHOOTIN	1		
	A 4	LV41679-001A	INFO. SHEET	1		
	A 5	FSUD3104-001A	INPORTANT SHEET	1		
	A 6	BT-52004-1	WARRANTY CARD	1	FOR CANADA ONLY	
		BT-51018-2	WARRANTY CARD	1	FOR USA ONLY	
	A 7	BT-51020-2	J=REGIST CARD	1	FOR USA ONLY	
	A 8	BT-20071B	JVC CENTER LIST	1	FOR CANADA ONLY	
	A 9	VKZ4027-202	PLUG NUT	1		
	A 10	VKH4871-001SS	MOUNT BOLT	1		
	A 11	VKZ4328-001	LOCK NUT	1	FOR M5	
	A 12	WNS5000Z	WASHER	1		
	A 13	FSKL4010-002	HOOK	2		
	A 14	FSJB3001-30C	HARD CASE	1		
	A 15	FSKM2004-202	MOUNTING SLEEVE	1		
	A 16	QAM0319-001	16P CORD ASSY	1		
	A 17	FSJD2034-001	TRIM PLATE	1		
	K I T	KDGS717K-SCREW1	SCREW PARTS KIT	1	A9-A13	